



Climber training

Von: Carlos Fonseca
Datum: 17.07.2017

Delivery condition / Storage



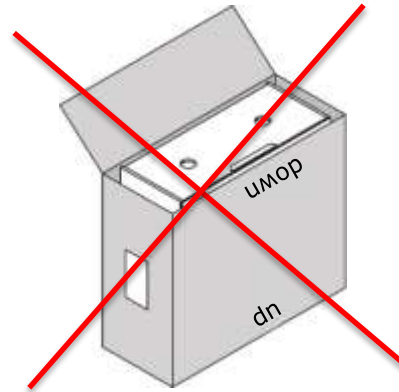
- Please leave the climber in the delivery condition till the delivery to the customer
- The storage condition has to be dry, clean and with a stable and straight underground
- Don't put more than 2 Climber one above the other
- **Please handle the Climber always with two persons**

Preparation

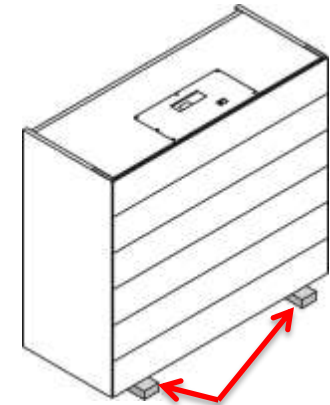
1. Unboxing the climber



Put up the packaging as shown



Don't turn it upside down



Put something below the Climber to protect the sensor.

2. Checking of completeness



1. Operating manual in the language you demand



2. Electric plug country-specific



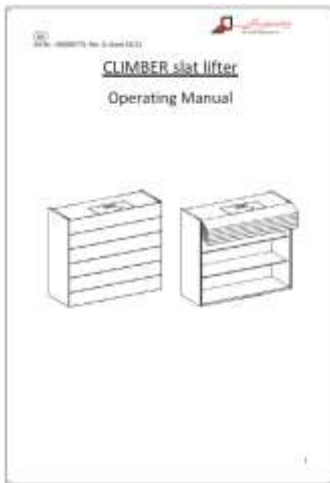
3. Magnet for Reset in given place



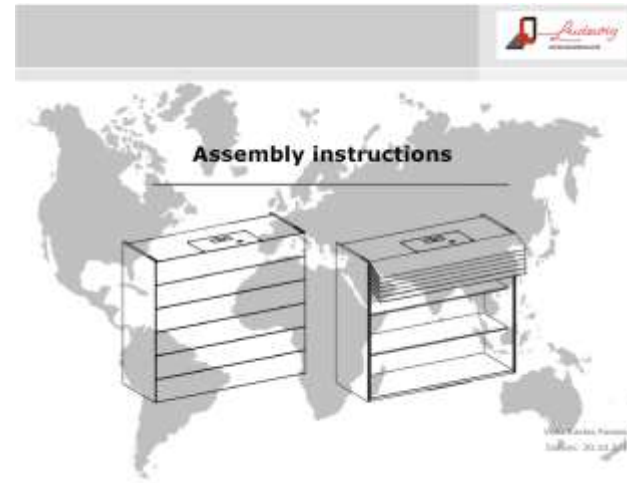
4. Observe safety warnings

Preparation

3. Please note all product documentations like:



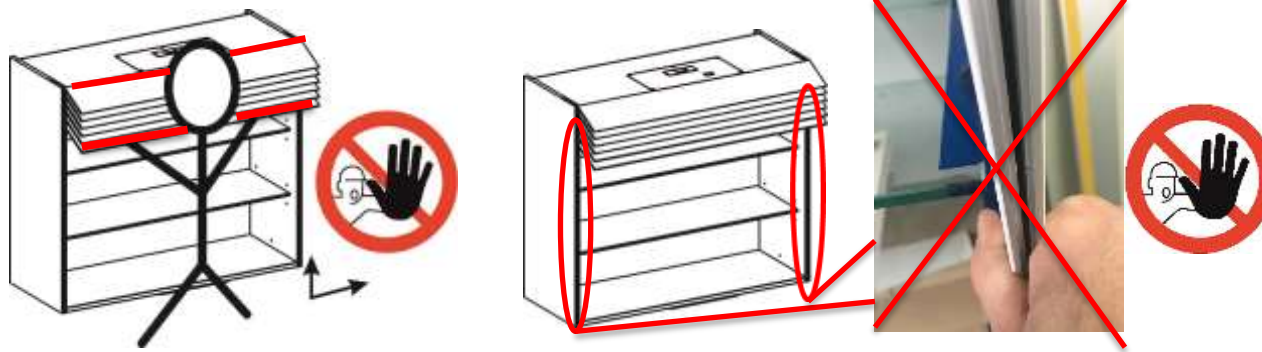
operating
manual



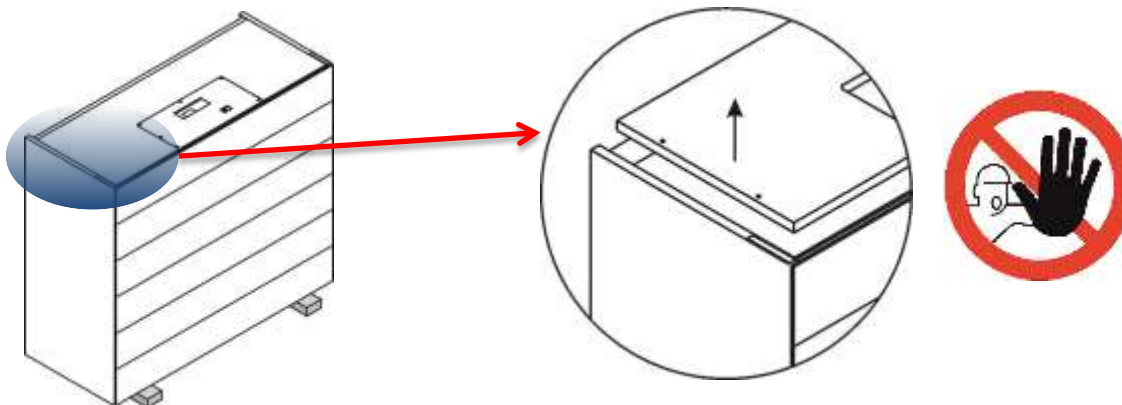
assembly instructions

Preparation

5. When lifting the climber don't carry it over the slats. Don't press the sides together. Please carry the climber every time in closed position as shown.

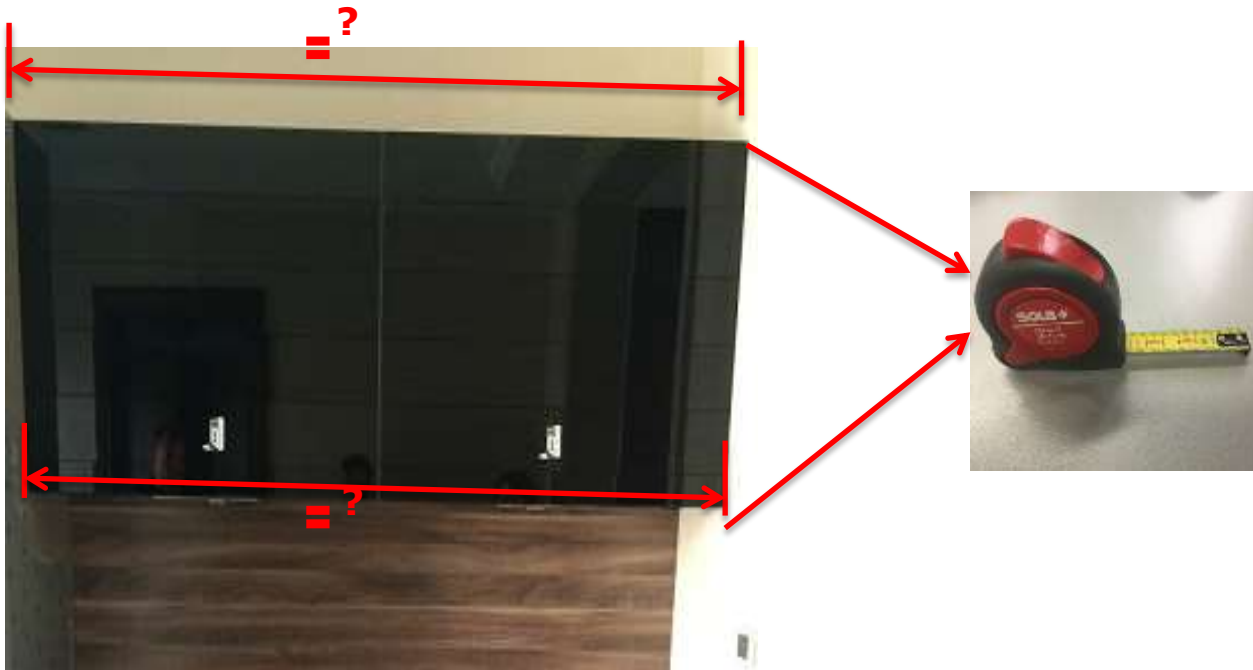


6. Without prior agreement, it is not allowed to open the upper floor of the climber.



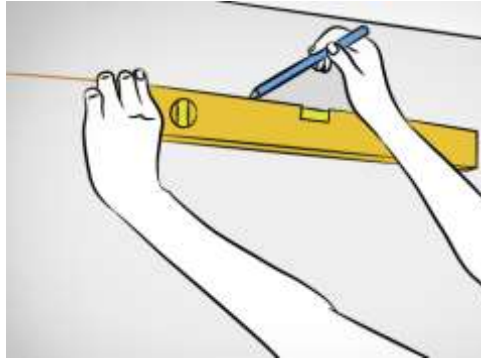
Preparation

7. It is very important to check if the dimensions of the climber are compatible to the dimensions of the place for the climber.

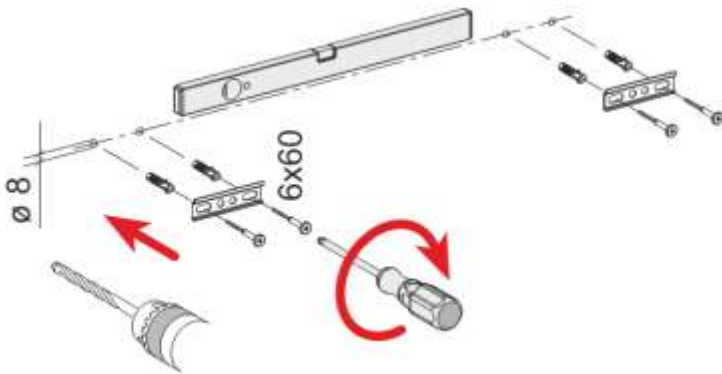


Installing CLIMBER

8. Draw the elevation line in the right position. Please observe the flatness.

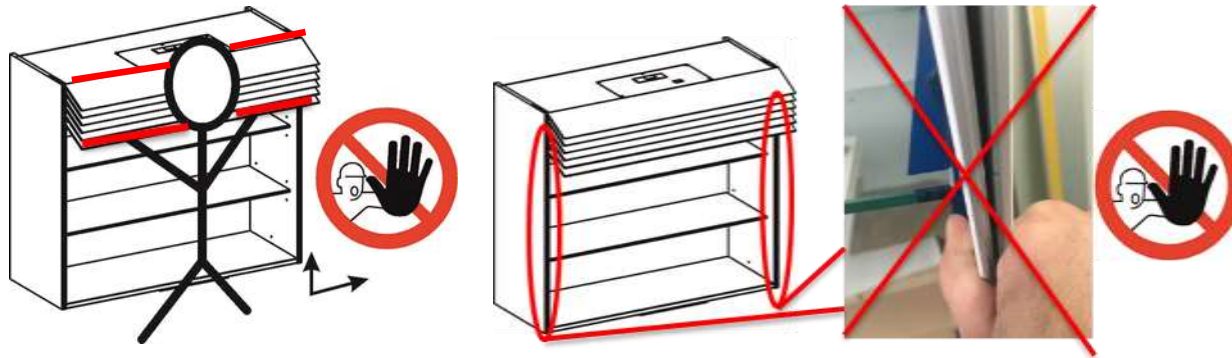


9. Fix the mounting bar on the wall as shown. Please observe the flatness.



Installing CLIMBER

10. Put up the climber on the mounting bar. Be careful by carrying it.

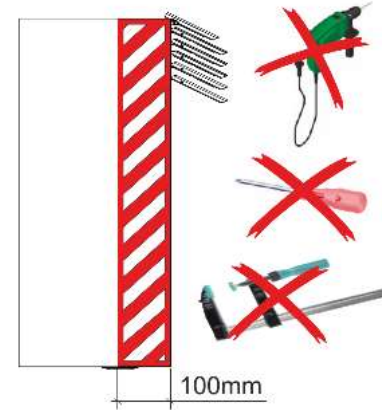
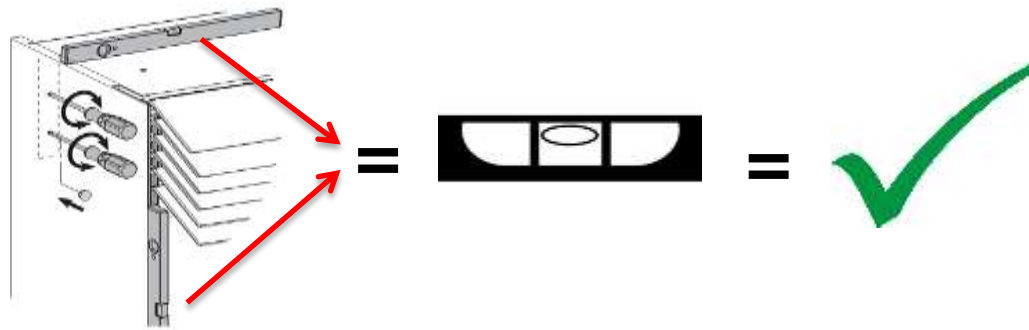


11. Align the climber in all directions. Ensure that the cabinet is not warped, jammed or compressed. A warpage of the climber can lead to the loosening of the slats or to a malfunction of the climber.



Installing CLIMBER

12. Fix the climber. Also here we have to ensure that the cabinet is not warped, jammed or compressed.



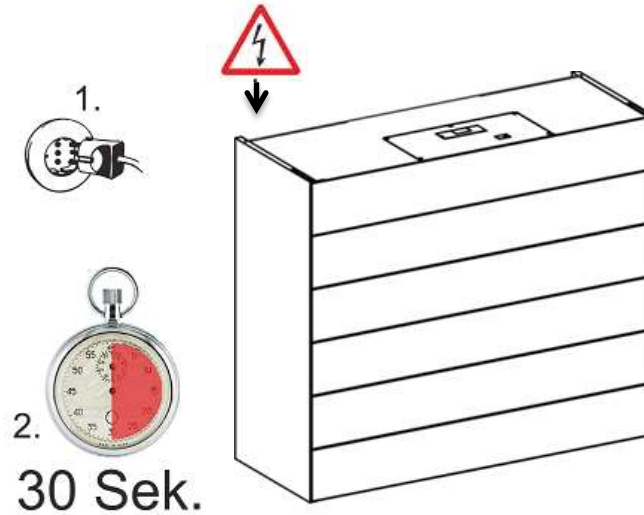
13. Before initializing the climber please remove all adhesive films and also all protection films on adjacent parts. Don't use knives.



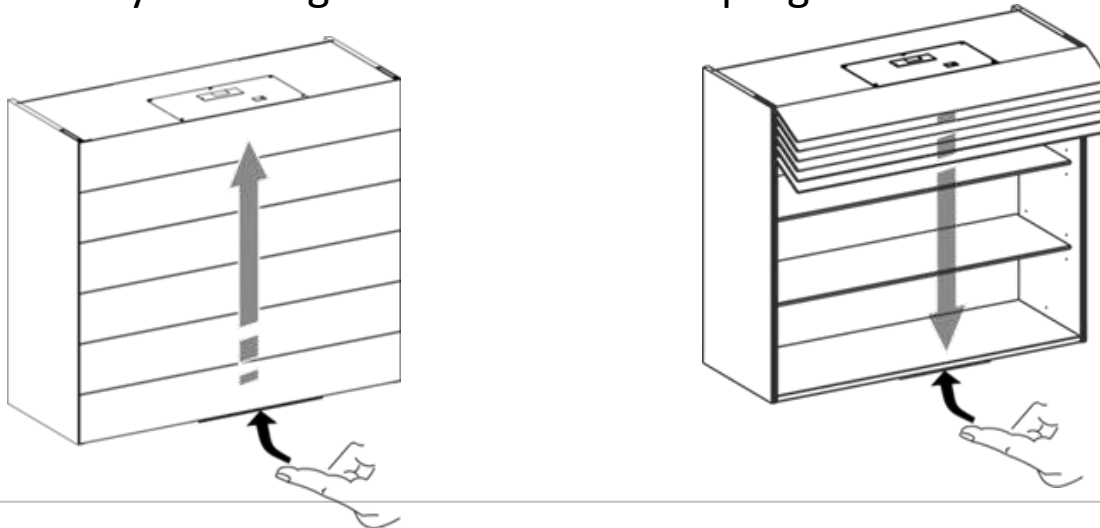
Start-up procedure

14. Initialising the Climber.

1. Connect it to electricity
2. Wait 30 Sec.



15. The climber is ready for using. It is not needed to program it.



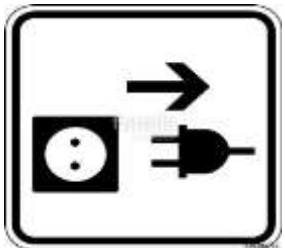
Overvoltage protection

If you have installed kitchens in apartments that are not inhabited, it is very important to unplug the climber from the electricity, after the initialization is completed.

Don't switch the main electricity of the apartment, or the buildings on or off, until unplugging the climber from electricity.

Before unplugging, please close the climber and wait until the closing procedure is completed.

Turn off main electricity switch:



1. Unplug the Climber



2. Switch electricity off

Turn on main electricity switch:



1. Switch electricity on



2. Plug in the Climber

Experiences from the past

- Special hints beyond the manual

- If the sides are straitened, you can enlarge them carefully with a plastic broach

Side penal is smaller than 3.9mm:



Enlarge the side with a broach:



Maximum enlargement is 6.00mm:



Experiences from the past

- Special hints beyond the manual
 - Downward movement only possible with mounted slats
 - A broken belt is mostly a hint for a wrong alignment of the climber, or for a straitened side panel. If the belt is broken, please check also the alignment and the side panels.
 - Also if the downward or upward movement of the slats is not smooth, it is a hint for a wrong alignment of the climber, or for a straitened side panel. Please check also in this case the alignment and the side panels.
 - A dissolve of the slats from the plastic adapter can also be a hint for a wrong alignment of the climber, or for a straitened side panel, this could bring tension, torsion or traction at the glue and solve this from the glass. Please check also in this case the alignment and the side panels.
 - If there are noises in the side panels, please grease the slider lightly. Mostly the noises comes from the plastic slider inside the aluminium side panels.
 - If there must be made renovation work in the room of the climber, please cover the climber to avoid a malfunction of it