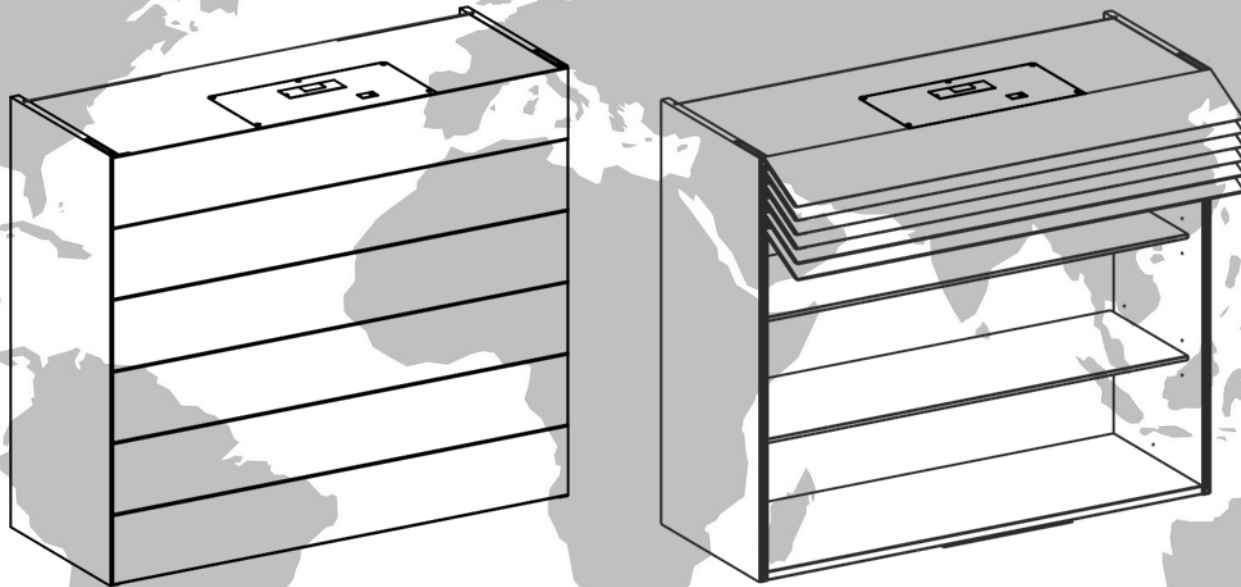


# Assembly instructions

---

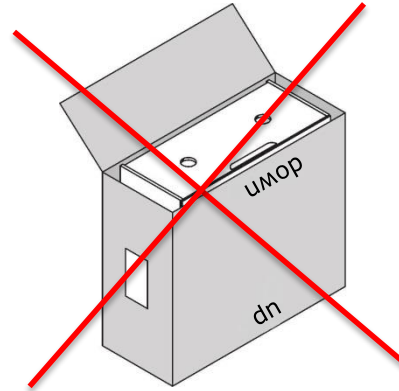
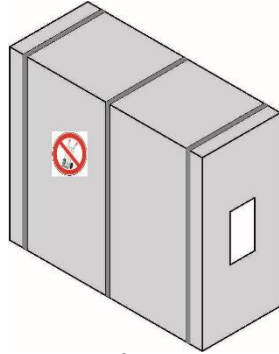


# Preparation

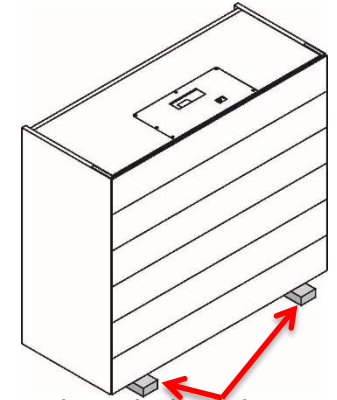
## 1. Unboxing the climber



Put up the packaging as shown



Don't turn it upside down



Put something below the Climber to protect the sensor.

## 2. Checking of completeness

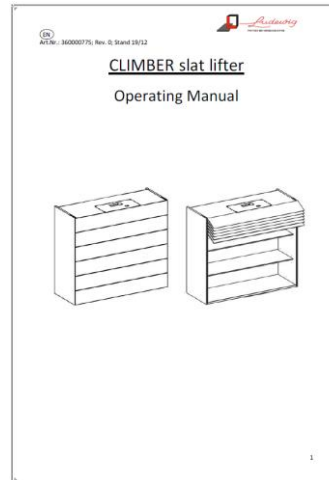


1. Operating manual in the language you demand



2. Observe safety warnings

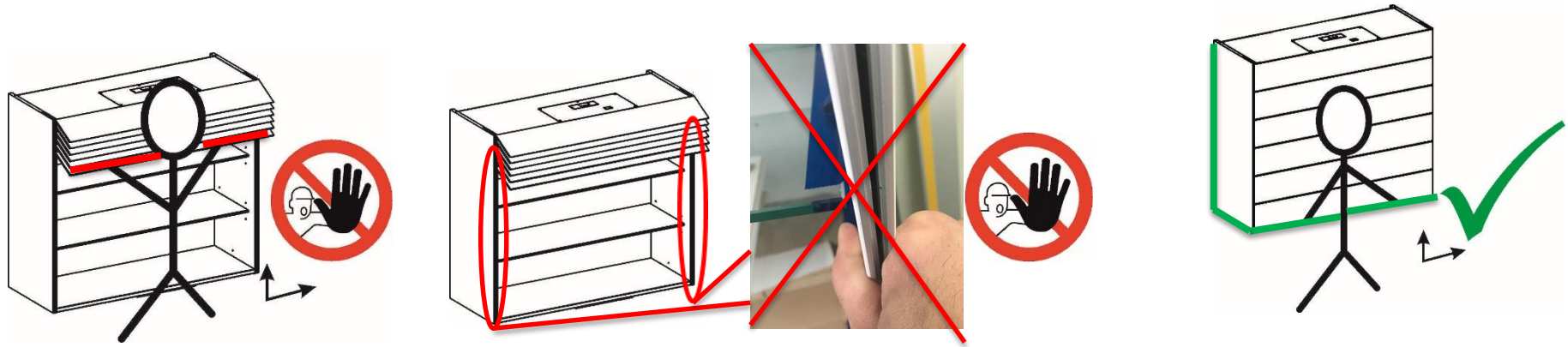
3. Please note all documents like:



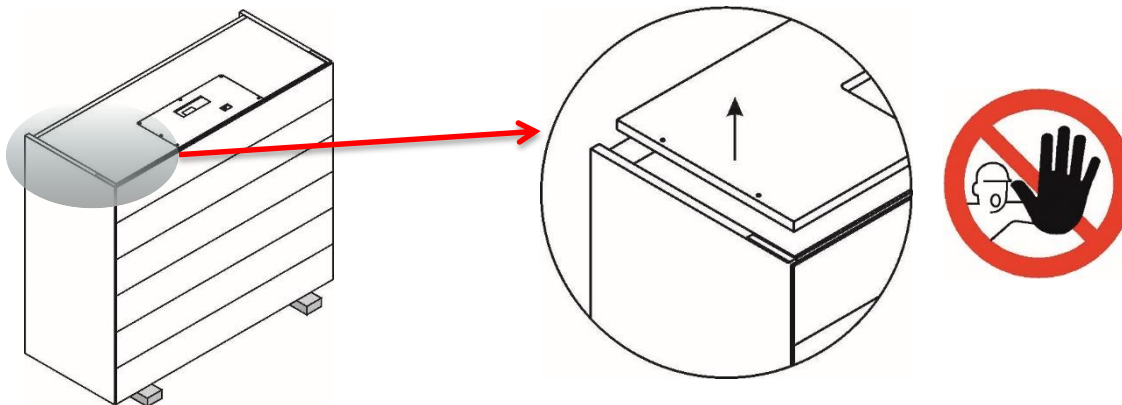
operating manual/ installation instructions

# Preparation

4. When lifting the climber don't carry it over the slats. Don't press the sides together. Please carry the climber every time in closed position as shown.



5. Without prior agreement, it is not allowed to open the upper floor of the climber.



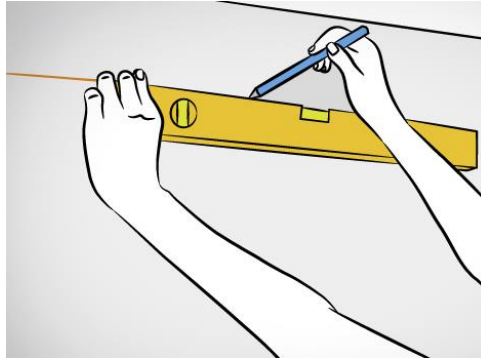
6. If needed, please assemble the interior lighting only with open slats and only from the inner side of the climber.



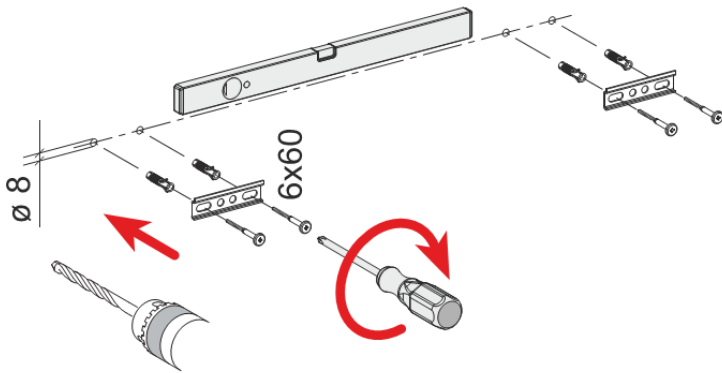
7. It is very important to check if the dimensions of the climber are compatible to the dimensions of the place for the climber.



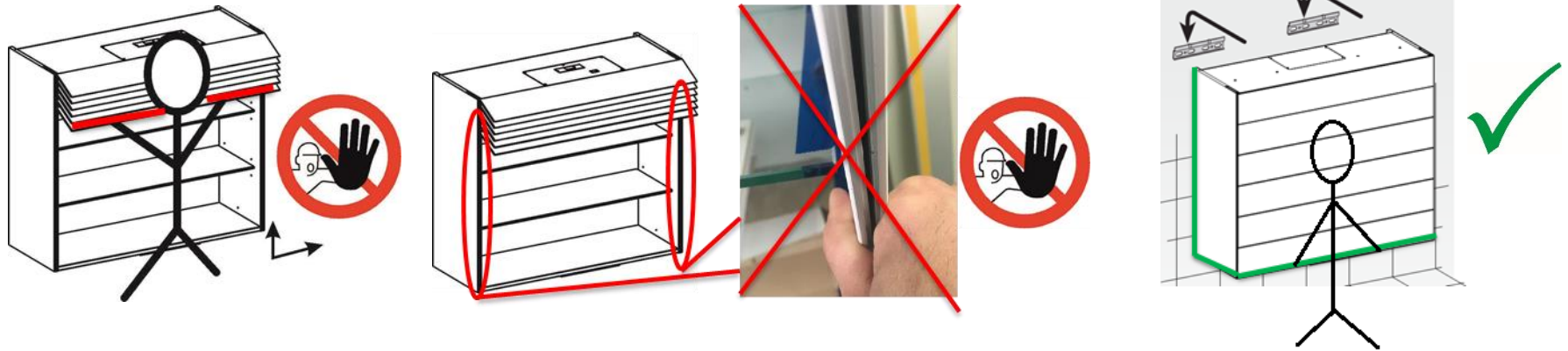
8. Draw the elevation line in the right position. Please observe the flatness.



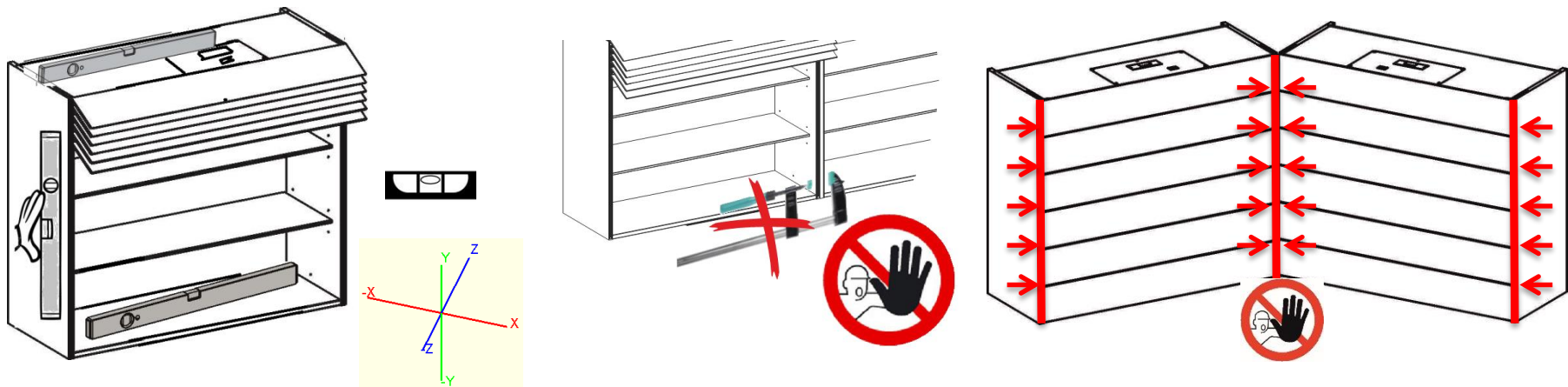
9. Fix the mounting bar on the wall as shown. Please observe the flatness.



10. Put up the climber on the mounting bar. Be careful by carrying it.

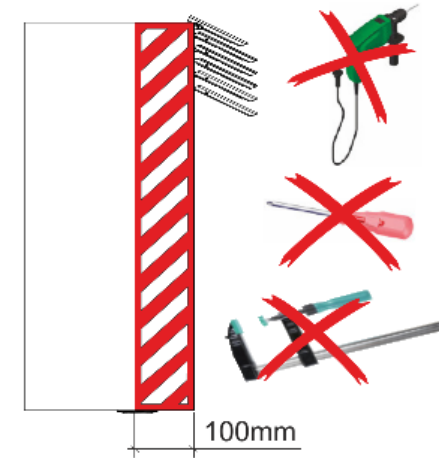
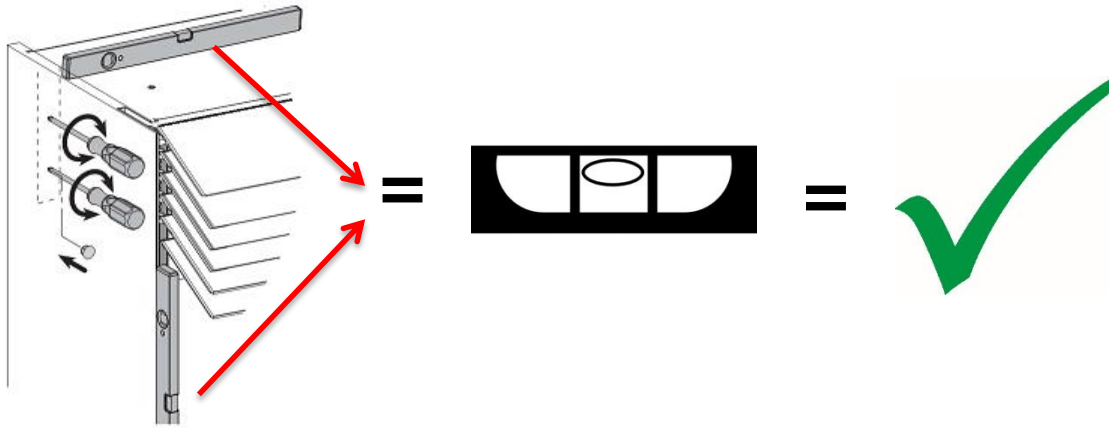


11. Align the climber in all directions. Ensure that the cabinet is not warped, jammed or compressed. A warpage of the climber can lead to the loosening of the slats or to a malfunction of the climber.





12. Fix the climber. Also here we have to ensure that the cabinet is not warped, jammed or compressed.



13. Before commissioning please remove all adhesive films and also all protection films on adjacent parts. Don't use knives.





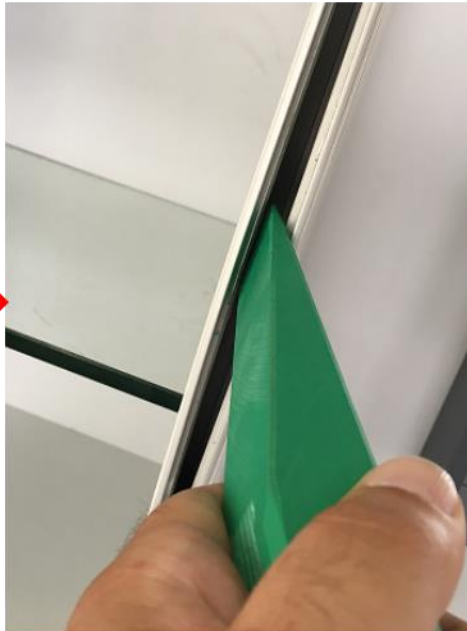
# Straitened sides

14. If the sides are straitened, you can enlarge them carefully with a plastic broach

Side penal is smaller than 3.9mm:



Enlarge the side with a broach:



Maximum enlargement is 6.00mm:

